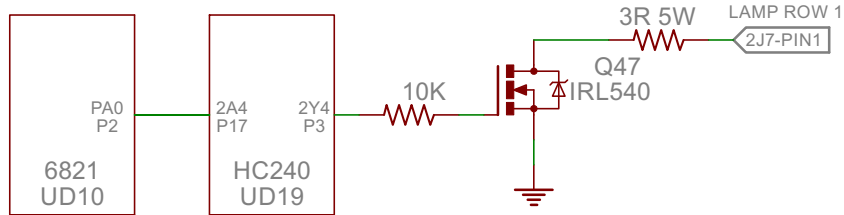
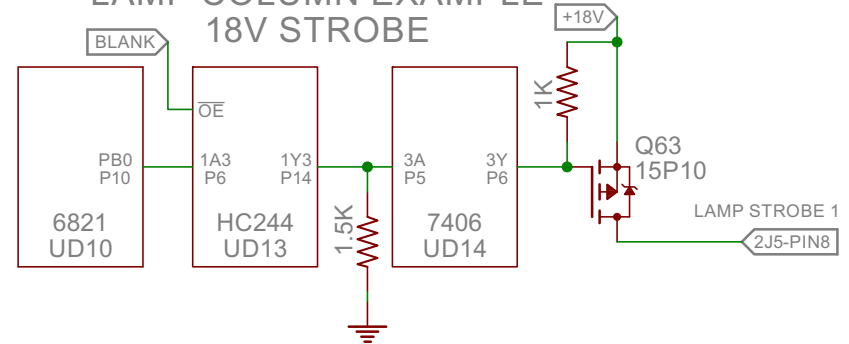


# WMS 3-7 EXAMPLE CIRCUITS

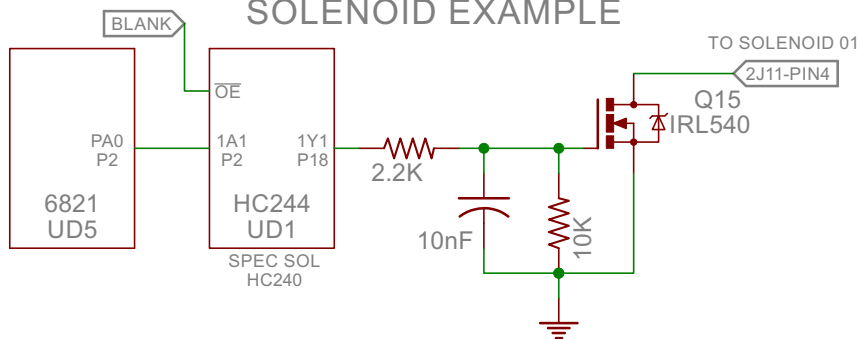
## LAMP ROW EXAMPLE RETURN



## LAMP COLUMN EXAMPLE 18V STROBE



## SOLENOID EXAMPLE



## SWITCH INPUTS EXAMPLE

